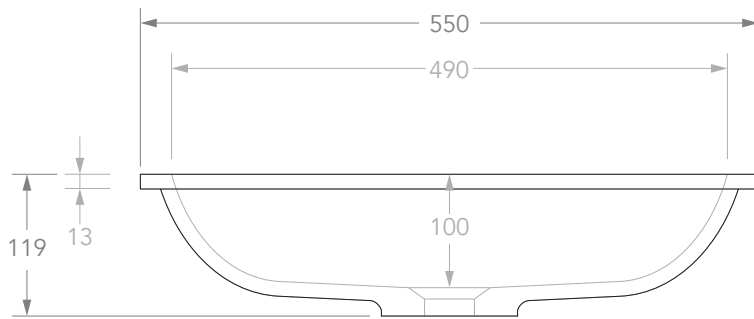
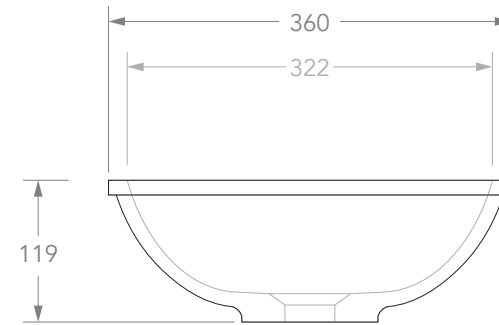


44DIA WASTE CENTRED



8L CAPACITY TO RIM



Adp

PRODUCT	GLORY	MATERIAL	SOLID SURFACE	NOTES: ALL DIMENSIONS ARE NOMINAL. DO NOT DRILL OR ROUGH IN UNTIL YOU HAVE RECEIVED AND MEASURED YOUR PRODUCT. BASIN SUITS 32MM WASTE. ADP UNIVERSAL PLUG AND WASTE RECOMMENDED (SOLD SEPARATELY). BASIN CUT-OUT IS A 510 X 344 ROUNDED RECTANGLE FOR INSET AND 470 X 304 ROUNDED RECTANGLE FOR UNDER-COUNTER. CUT-OUT DXF DOWNLOAD AVAILABLE AT ADPAUSTRALIA.COM.AU ALL DIMENSIONS ARE IN MILLIMETRES. DO NOT MEASURE FROM DRAWING.
CODE	TOPTGLO5536**	COLOUR & FINISH	** MATTE WHITE (TS), GLOSS WHITE (G)	
STYLE	INSET / UNDER-COUNTER			
DIMENSIONS	550W X 360D X 119H			
CAPACITY	8L TO RIM			
VERSION 6	DATE 17/09/2024			